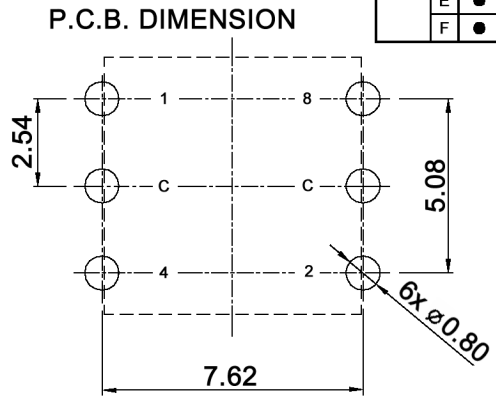


Hexadecimal

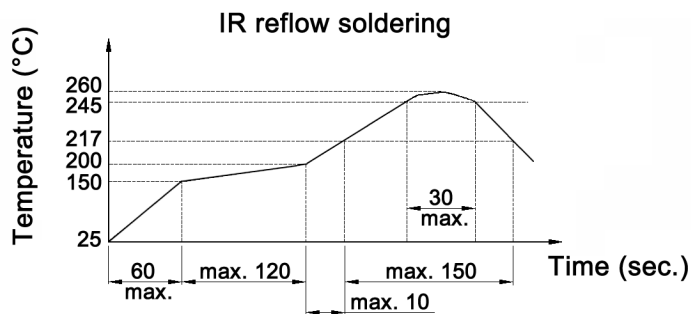
16 Positions	Real coded				
	C	1	2	4	8
0	●				
1	●	●			
2	●		●		
3	●	●	●		
4	●			●	
5	●	●		●	
6	●		●	●	
7	●	●	●	●	
8	●				●
9	●	●			●
A	●		●		●
B	●	●	●		●
C	●			●	●
D	●	●		●	●
E	●		●	●	●
F	●	●	●	●	●



Specifications:

- Contact rating: non-switching: 400mA, 42V
switching: 100mA, 42V
- Contact resistance: 80mOhm max.
- Insulation resistance: 100MOhm min. at 250V DC for 1 minute +/-5sec.
- Dielectric strength: 250V DC (50Hz/60Hz) for 1 minute
- Operating temperature: -50°C to +125°C
- Storage temperature: -55°C to +135°C
- Mechanical life: 25 000 cycles
- Operating force: 120 +/-30gf/cm
- Soldering conditions: auto-soldering: max.: 260 +/-5°C, 5 +/-1sec.
IR reflow soldering: see profile
- Packaging unit: 70 pcs / tube
- Material: Cover / spring plate / guide plate: stainless steel
Contact / terminal: phosphor bronze, min. 0.07µm gold plated over min. 0.3µm nickel
Rotor / base: PA66
O-ring: silicone
Actuator color: gray

Protection: IP67
Soldering conditions:



Tolerances:			Date	Name	<h1>DRS 15016</h1>
			10/08	dr	
			knitter-switch		<h1>30 16 26</h1>
Packaging unit	09/12	dr			Page
Modifications	Date	Name			1/1